



Silva - Movable acoustic whiteboard

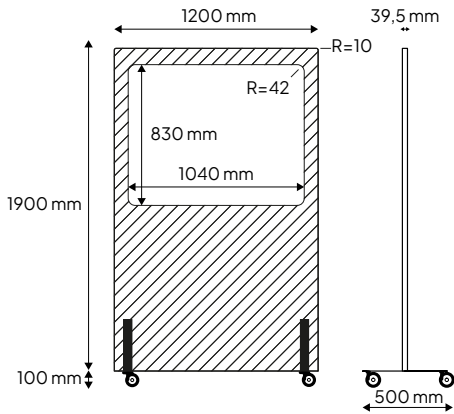
Specifications

Silence, structure, and style. Silva brings calm and order to the workspace. In this mobile whiteboard, the enamel steel writing surface is recessed into a sound-absorbing frame made of PET felt. The result is a whisper-quiet whiteboard where flexibility and aesthetics go hand in hand.

General

Article number	Colour	Size	Nett weight	Gross weight
13009.310	Light grey	200x120 cm	30,7 kg	36,7 kg
13009.311	Dark grey	200x120 cm	30,7 kg	36,7 kg
13009.312	Beige	200x120 cm	30,7 kg	36,7 kg
13009.313	Blue	200x120 cm	30,7 kg	36,7 kg

Description:	Silva - Movable acoustic whiteboard
Thickness board:	30 mm
Size (excl. feet):	190x120 cm
Size (incl. feet):	200x120 cm
Size whiteboard:	83x104 cm
Mounting:	Simple assembly on sturdy, mobile feet with 4 wheels, 2 of which are braked
Product warranty:	2 jaar
Warranty writing surface:	Lifetime



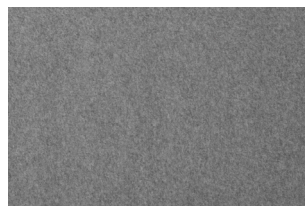
Technical

PET felt:	Consist of 100% recycable polyethylene terephthalate (PET), of which more than 50% comes from recycled PET bottles
Acoustic performance PET felt:	α_w 0,25
Flamability PET felt:	ASTM-E84-16: Class A
Whiteboard:	White enamel steel (Indoor Air Quality Certified to SCS-EC10.3-2014 v4.0)

Colours



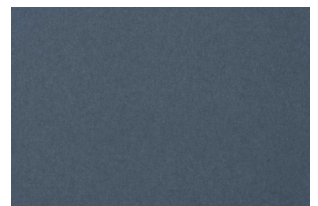
Light grey



Dark grey



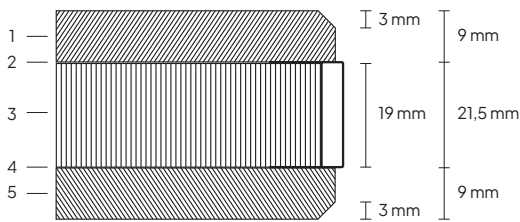
Beige



Blue

Construction

1. Acoustic surface:	9 mm thick PET felt
2. Writing surface:	0.4 mm thick enamel steel
3. Carrier:	18 mm thick Egger sandwichpanel
4. Writing surface:	0.4 mm thick enamel steel
5. Acoustic surface:	9 mm thick PET felt
Whiteboard frame:	19 mm flat black powder coated aluminium frame
Whiteboard corner pieces:	Black synthetic corner pieces
Finishing PET felt:	All edges (except bottom), with a 3 mm deep bevel cut
Feet:	Black powder coated steel + 2 MDF filler pieces, 6 mm thick
Wheels:	4 robust wheels, 2 of which are lockable



Packaging

Type:	Panel	Feet + wheels
Packaging unit:	Schrink foil	Doos
Materials:	1 unit	1 collo
	Schrink foil, corrugated cardboard, EPS bumper	Corrugated cardboard
Size per unit:	1930x1230x80 mm (HxWxD)	810x810x200 mm (HxWxD)
Packaging weight:	5,9 kg	0,1 kg

